

# PRICE LIST **LEROS** | M

OT - 09/2013



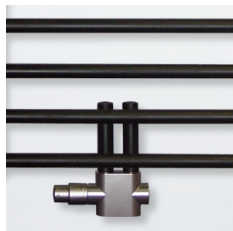
# LEROS | M

## Bathroomradiator with mid connection

NEW!



The Leros bathroom radiator impresses with its modern styling of a traditional product, the well thought out design inspires confidence to the latest model in the Radson range. The large diameter of the tubes (28mm) provide a solid and stylish appearance. The larger gaps not only provide for a striking design but give a practical solution to placing towels and cleaning the radiator.

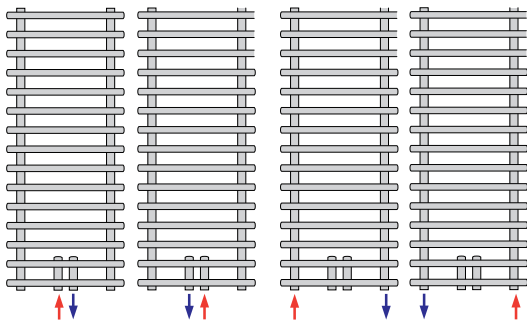


- Accessories included in the packaging and the price : 4 brackets, 3 blind stops G 1/2", 1 rotating airvent G 1/2", screws and plugs
- Installation : 4 wall brackets
- Connections : 6 connections 1/2", internal thread (15/21)
- When the radiator is connected left or right (without mid connection) the outputs are lower because there is no flow in the 2 lowest pipes
- Working pressure 10 bar - Testing pressure 13 bar
- Working temperature max. 110°C
- Colours : standard colour is RAL 9016. Other available RAL- and metallic colours upon request : 25% supplement.
- Valve body available in option

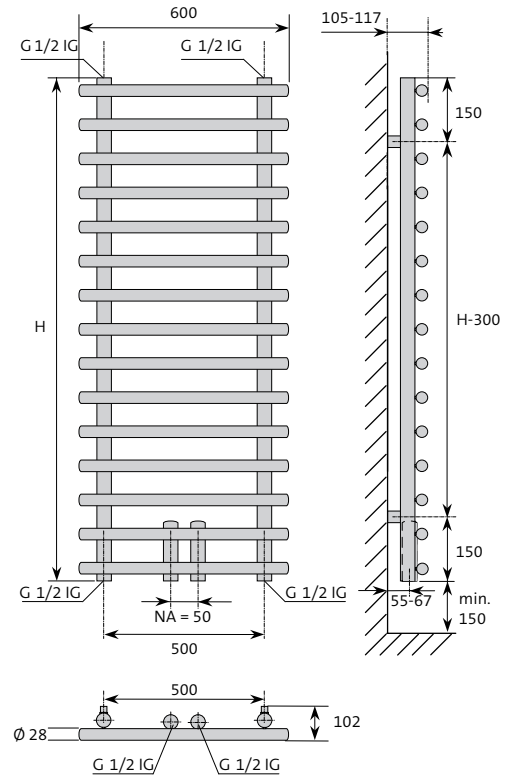


Radson offers a quality guarantee of 10 years on the complete range of radiators.

### CONNECTIONS



- A = centre-to-centre connections
- B = height
- C = length
- D = centre-to-centre brackets HORI
- X = centre-to-centre brackets VERTI



type	A	B	C	D	X	weight (kg)	volume (l)	waarde n	75/65/20 °C (Watt)	45/35/20 °C (Watt)	Δ T 30 (Watt)	EURO
LER1206M	50	1224	600	500	924	11,55	5,85	1,2220	607	193	325	437,98
LER1806M	50	1812	600	500	1512	16,45	8,25	1,2286	870	275	464	533,80

stock

Sizes in mm – prices excluding VAT

The general conditions of sale and delivery of Rettig Belgium NV are applicable. Rettig Belgium NV reserves the right to change the product specifications without prior notice.



QWQTPBEU5003807 – 09/2013

