

Kos V & Faro V

WWW.RADSON.COM



NEW !

Kos/Faro radiator in wide size 300 mm



- Vertical-radiator with flat or profiled front panel and curved, closed side covers.
- Accessories included in the packaging and the price : brackets, 2 side covers, installation clips, 1 bore template, 1 rotating airvent, 3 blind stops, screws and plugs.
- Installation : U2V-bracket.
- Connections : 6 x Ø 1/2".
(Note : with type 22 the connecting valve is located eccentrically in the radiator.)
- If one does not connect the radiator using the connecting valve, short-circuit current can originate so the radiator heats less.
- Radiator is reversible top / bottom.
Note : with top connection one must turn the radiator around and a minimum water column head of 3m is required for the radiator supply, and this with a minimum flow rate of 150 l/h
- Colour : standard colour is RAL 9016.
Other available colours incl. metallic colours : see technical pricelist.
- Accessories : towel rail : see technical pricelist.



Kos V & Faro V

installation

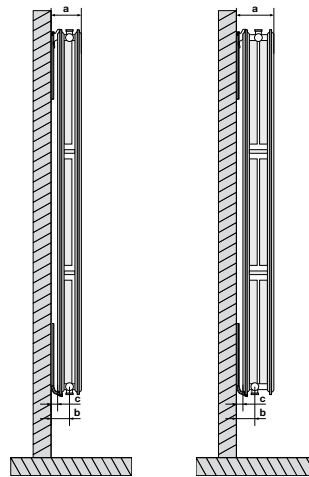
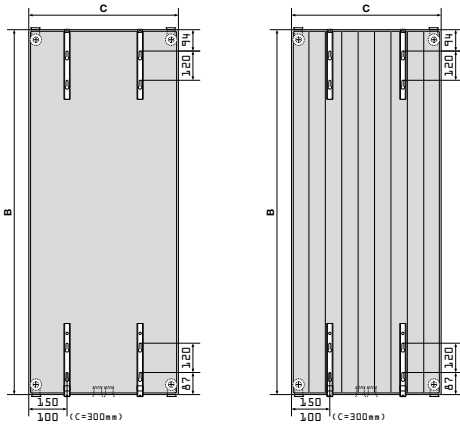
- Kos V & Faro V radiators can be used in 2-pipe systems and in 1-pipe system, when the valve set is used.

type 21C

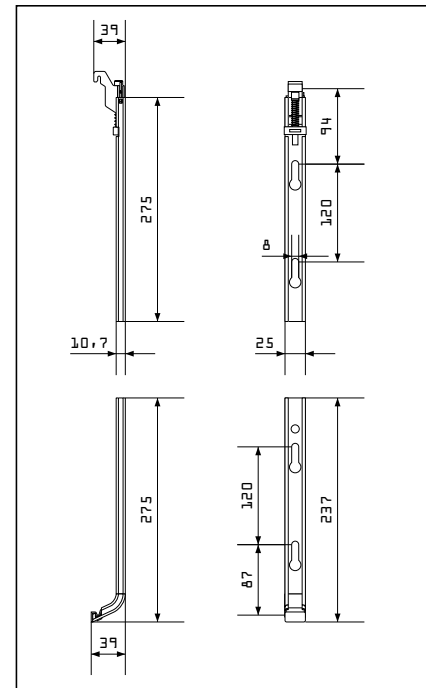
- a : 109 mm
- b : 65 mm
- c : 25 mm

type 22C

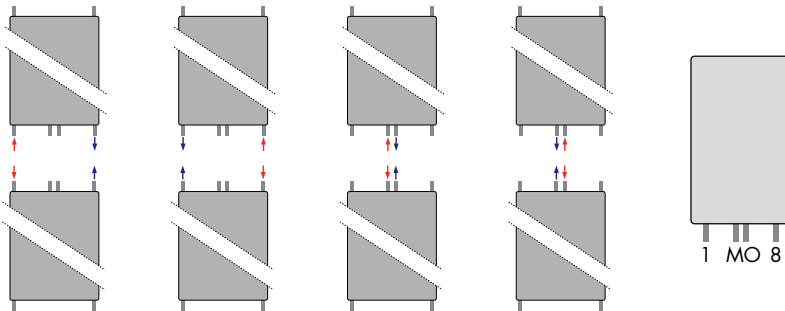
- a : 134 mm
- b : 65 mm
- c : 25 mm



U2V-bracket



connections



Other connections are not possible.

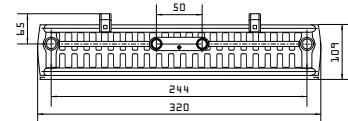
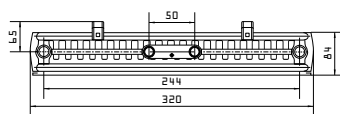
volume : l/m

type	1800	1950	2100
21	21,47	24,13	25,47
22	21,73	23,47	25,33

weight : kg/m

type	1800	1950	2100
21	100,27	109,33	117,07
22	111,60	123,73	130,93

Note: with type 22 the connecting valve is located eccentrically in the radiator.



length (mm)	Watt + price	Type 21C			Type 22C		
		1800	1950	2100	1800	1950	2100
NEW KOS V 300	ΔT 50	886	936	978	1046	1103	1161
	EURO	368,43	375,48	389,63	416,33	424,29	440,29
NEW FARO V 300	ΔT 50	886	936	978	1046	1103	1161
	EURO	376,89	387,65	391,89	425,88	438,05	442,84

heat outputs are measured with bottom connection • according EN 442 - 75/65/20 °C (ΔT 50) • stock Radson