

APIA M - BATHROOMRADIATOR

Price list 2012

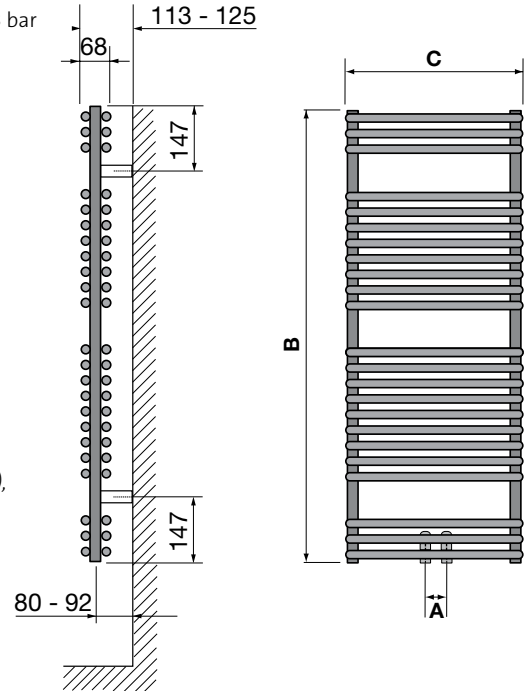
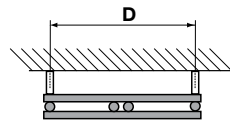


API M BATHROOMRADIATOR

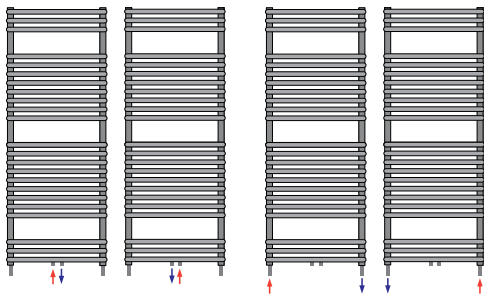


Bathroom radiator with mid connection

- Accessories included in the packaging and the price : brackets, 3 blind stops G 1/2, 1 rotating airvent G 1/2, screws and plugs
- Installation : 4 adjustable wall brackets
- Connections : 6 x G 1/2 IG (15/21).
- Working pressure : 10 bar – Testing pressure : 13 bar
- Working temperature max. : 110 °C
- Colours : standard colour is white RAL 9016
Other available colours (surcharge 15%)



connections



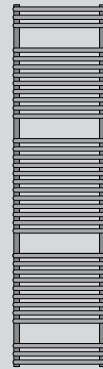
If the radiator has a left or right connection (without mid connection), its heat output will be slightly lower because there is no flow through the lowest pipe (partition integrated).

dimensions in mm

A = centre-to-centre connections
B = height
C = length



API11..M



API18..M

type	A	B	C	D	weight (kg)	volume (l)	75/65/20 °C EN 442	€
API1105M	50	1134	500	460	18,80	7,30	819	685,65
API1106M	50	1134	600	560	21,75	8,60	983	717,36
API1806M	50	1764	600	560	32,85	13,25	1466	1019,14
API1807M	50	1764	750	710	39,30	16,10	1834	1130,23
API1809M	50	1764	900	860	45,75	18,95	2203	1183,76

RADSON

Vogelsancklaan 250, 3520 Zonhoven, België
T +32 (0)11 81 31 41, F +32 (0)11 81 73 78, info@radson.be,
www.radson.com

RADSON 
clever heating solutions