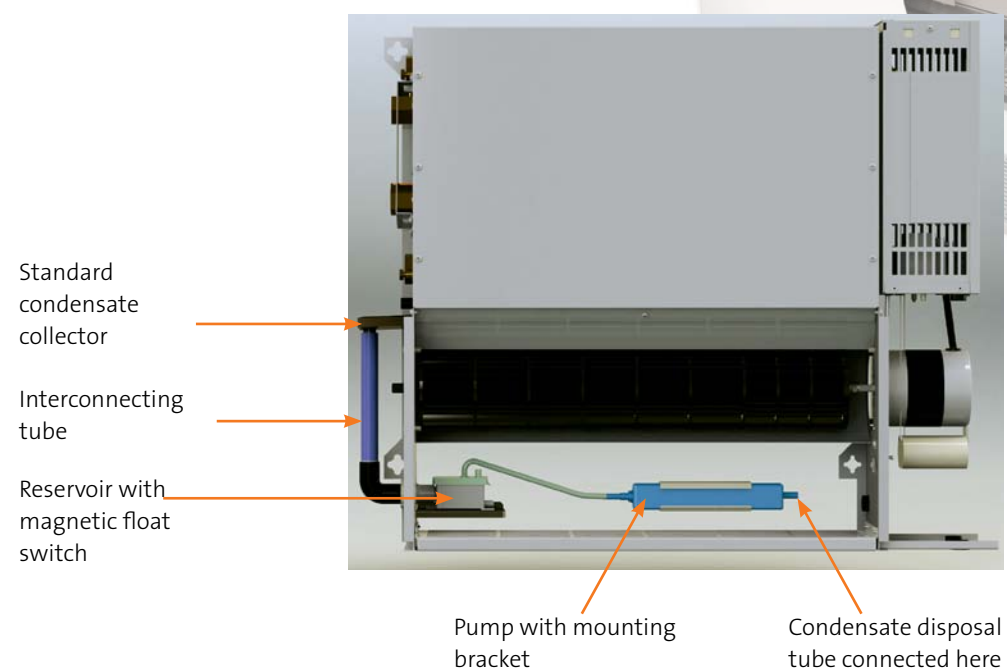


**CONDENSATE PUMP KIT :**

If no direct, lower condensation drainage is available, a condensation pump can be mounted and connected.

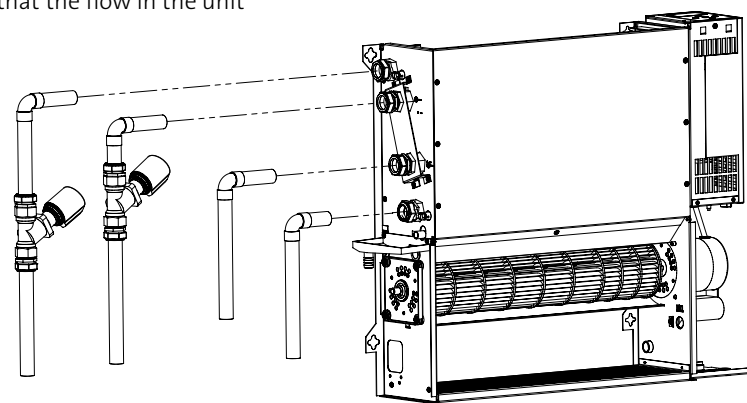
- VIDCONPUMP - € 104,82



**CONNECTION AND ADJUSTMENT SETS**

Pressure-compensated connection and adjustments sets with 230V power. These sets ensure that the flow in the unit remains at the desired level.

- 2-pipe : VID2VALVE - € 157,23
- 4-pipe : VID4VALVE - € 288,26



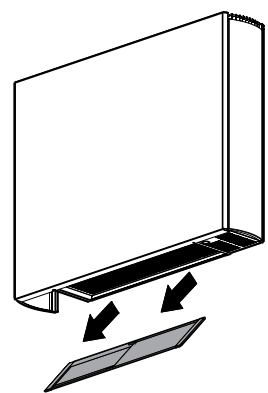
**FILTER**

- filter 400 mm : VIDFIL400 - € 8,30
- filter 495 mm : VIDFIL495 - € 9,00
- filter 695 mm : VIDFIL695 - € 10,50

Following filters need to be ordered per model :

- Vido 600x800 : VIDFIL495
- Vido 600x1000 : VIDFIL695
- Vido 600x1200 : VIDFIL400 + VIDFIL495
- Vido 600x1400 : VIDFIL400 + VIDFIL695
- Vido 600x1600 : VIDFIL400 + VIDFIL400 + VIDFIL495

All accessories are available from stock.



The general terms and conditions of sales and delivery of Rettig Belgium NV apply. Rettig Belgium NV reserves the right to change the products without prior notice.



Follow us on Facebook!

Vogelsancklaan 250, 3520 Zonhoven, Belgium  
T +32 (0)11 81 31 41, F +32 (0)11 81 73 78,

[www.radson.com](http://www.radson.com)

PRICE LIST **VIDO** - Heating & cooling

10/2013



QW02BRAEU5001807 - 09/2013



## VIDO - 2-PIPE UNIT

A system using 2-pipe Vido can be used for either heating OR cooling.

For heating purposes, the Vido in a system all need to be connected to a heat source, f.e. boiler or heat pump. For cooling operation they have to be connected to a chiller.



ORDER CODE : VID26001200



### technical data

weight (kg), water content (l) & motor power (Watt)

type	weight net	water content	motor power
VID26000800	22,80	0,66	32
VID26001000	27,70	0,92	35
VID26001200	32,50	1,19	44
VID26001400	37,50	1,45	53
VID26001600	42,60	1,72	65

sound level

type	normal	medium	boost
VID26000800	24,80	37,70	47,90
VID26001000	27,00	35,80	47,90
VID26001200	24,00	40,50	51,70
VID26001400	24,90	35,50	54,80
VID26001600	27,00	35,00	56,30

Sound levels in dB(A) (2,5m) tested in accordance with ISO 3741.

Water flow rates (l/h) & pressure losses (kPa) - heating /cooling

water flow	pressure loss (kPa)					
	100	150	220	330	500	750
VID26000800	0,70	1,40	2,90	6,10	13,00	27,50
VID26001000	1,00	2,10	4,10	8,50	17,80	36,50
VID26001200	1,40	2,90	5,50	11,10	22,90	46,20
VID26001400	1,60	3,20	6,10	12,20	24,90	49,80
VID26001600	1,90	3,70	7,10	14,20	28,70	57,10

air flow rates (m³/h)

air flow	heating			cooling		
	normal	medium	boost	normal	medium	boost
VID26000800	90	148	247	65	110	202
VID26001000	135	221	370	98	165	302
VID26001200	180	295	493	130	220	403
VID26001400	225	369	616	163	275	504
VID26001600	270	443	740	195	330	605

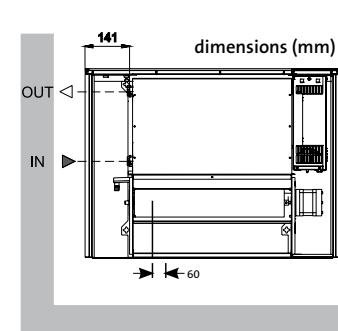
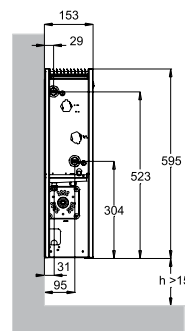
type	fan speed	heat outputs (Watt)			outputs cooling (Watt)	
		water flow (l/h)	75/65/20°C	45/35/20°C	total	sensible
VID26000800	normal	341	1997	1146	707	527
	medium	341	2678	1537	1126	829
	boost	341	3682	2113	1648	1227
VID26001000	normal	450	2739	1572	1011	1753
	medium	450	3661	2101	1600	1178
	boost	450	5124	2941	2304	1716
VID26001200	normal	600	3288	1887	1520	931
	medium	600	4448	2553	1960	1442
	boost	600	6521	3743	2918	2173
VID26001400	normal	700	3867	2219	1490	1110
	medium	700	5265	3022	2320	1707
	boost	700	7894	4531	3533	2631
VID26001600	normal	800	4460	2560	1729	1288
	medium	800	6082	3491	2679	1972
	boost	800	9266	5318	4147	3088

Relative humidity: sensible cooling at 50%

### price

type	height (mm)	length (mm)	€
VID26000800	600	800	575,04
VID26001000	600	1000	709,84
VID26001200	600	1200	785,75
VID26001400	600	1400	1159,29
VID26001600	600	1600	1476,21

prices are excluding VAT - stock



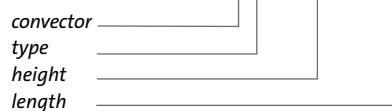
## VIDO - 4-PIPE UNIT

A 4-pipe Vido system can be used in the same time for heating AND cooling.

The 4-pipe Vido model has 2 pipes connecting to a heat source and 2 pipes connecting to a chiller. This feature enables an enhanced facility for indoor comfort within a building whereby the Vido can provide both heating and cooling to different parts of the same building at the same time.



ORDER CODE : VID46001200



### technical data

weight (kg), water content (l) & motor power (Watt)

type	weight net	water content		motor power
		heating	cooling	
VID46000800	24,80	0,33	0,66	32
VID46001000	30,10	0,46	0,92	35
VID46001200	35,30	0,60	1,19	44
VID46001400	40,70	0,73	1,45	53
VID46001600	46,20	0,86	1,72	65

sound level

normal	medium	boost
24,80	37,70	47,90
27,00	35,80	47,90
24,00	40,50	51,70
24,90	35,50	54,80
27,00	35,00	56,30

Sound levels in dB(A) (2,5m) tested in accordance with ISO 3741.

air flow rates (m³/h)

type	heating			cooling		
	normal	medium	boost	normal	medium	boost
VID46000800	90	148	247	65	110	202
VID46001000	135	221	370	98	165	302
VID46001200	180	295	493	130	220	403
VID46001400	225	369	616	163	275	504
VID46001600	270	443	740	195	330	605

Water flow rates (l/h) & pressure losses (kPa) - cooling

water flow	pressure loss					
	100	150	220	330	500	750
VID46000800	0,70	1,40	2,90	6,10	13,00	27,50
VID46001000	1,00	2,10	4,10	8,50	17,80	36,50
VID46001200	1,40	2,90	5,50	11,10	22,90	46,20
VID46001400	1,60	3,20	6,10	12,20	24,90	49,80
VID46001600	1,90	3,70	7,10	14,20	28,70	57,10

Water flow rates (l/h) & pressure losses (kPa) - heating

water flow	pressure loss				
	100	150	220	330	500
VID46000800	0,70	1,40	2,90	6,10	13,00
VID46001000	1,00	2,10	4,10	8,50	17,80
VID46001200	1,40	2,90	5,50	11,10	22,90
VID46001400	1,60	3,20	6,10	12,20	24,90
VID46001600	1,90	3,70	7,10	14,20	28,70

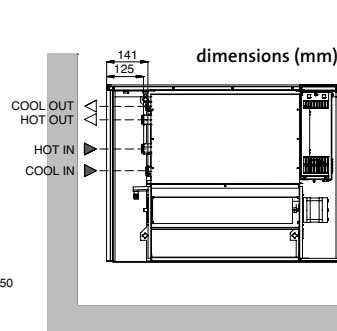
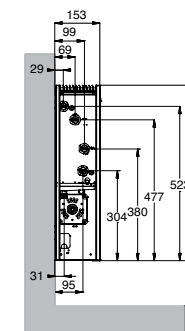
type	fan speed	heat outputs (Watt)				outputs cooling (Watt)		
		water flow (l/h)	75/65/20°C	45/35/20°C	water flow (l/h)	total	sensible	
VID46000800	normal	300	1398	802	350	672	501	
	medium	300	1875	1076	350	1070	788	
	boost	300	2577	1479	350	1566	1166	
VID46001000	normal	350	1917	1100	450	960	715	
	medium	350	2563	1471	450	1520	1119	
	boost	350	3587	2059	450	2189	1630	
VID46001200	normal	400	2302	1321	600	1444	884	
	medium	400	3114	1787	600	1862	1370	
	boost	400	4565	2620	600	2772	2064	
VID46001400	normal	450	2707	1553	700	1416	1055	
	medium	450	3686	2115	700	2204	1622	
	boost	450	5526	3172	700	3356	2499	
VID46001600	normal	500	3122	1792	800	1643	1224	
	medium	500	4257	2444	800	2545	1873	
	boost	500	6486	3723	800	3940	2934	

Relative humidity: sensible cooling at 50%

### price

type	height (mm)	length (mm)	€
VID46000800	600	800	689,42
VID46001000	600	1000	852,82
VID46001200	600	1200	946,49
VID46001400	600	1400	1349,00
VID46001600	600	1600	1705,54

prices are excluding VAT - stock



## VIDO - HEATING & COOLING

The Vido is the first in a new generation of intelligent fan convectors. It has been designed specifically to combine all the traditional advantages of a fan convector with a range of new product features made possible by our latest energy efficient heating technology.

- High outputs : in heating up to 9266 Watt and in cooling : 4147 Watt
- Compact in size : height : 600 mm & length : 800, 1000, 1200, 1400 and 1600 mm
- Operation at low water temps = renewables
- Rapid response because of low water content
- Water connection : 2 or 4 x Ø 3/4" and 1 electric connection
- Electronic control system with LCD display
- Decorative design with a flat front panel and slightly curved sides
- Robust one piece casing - steel in RAL 9016
- Low fan sound level
- Easy to install with delivered brackets
- Accessories : Condensate pump kit, connection and adjustment sets & filter

### 2-PIPE AND 4-PIPE MODELS

The 2-pipe Vido has 1 heat exchanger and the 4-pipe Vido has 2 heat exchangers, one for heating and one for cooling. This means that each heat exchanger has its own set of flow and return pipes, one from a boiler and one from a chiller. Critically this means, from a system design point of view, that if a system has multiple Vido installed some can be used for heating whilst others can be used for cooling at the same time.

### CONTROL SYSTEM WITH LCD DISPLAY

- Electronic control system for a wide range of easy to use heating and cooling operating options
- Lockable LCD backlit display
- Individually programmable
- 24/7 programmer with 1 hour time periods
- Night set-back function
- Easy mode for basic operation & full mode for more advanced functions
- 3 fan speeds : normal, medium and boost
- The control system will automatically select and vary the fan speeds as required, depending on the current room temperature and the required, set room temperature
- Option to link to a building management system (BMS)

Radson offers a guarantee of 5 years (electric parts : 2 years)..

